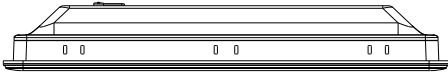
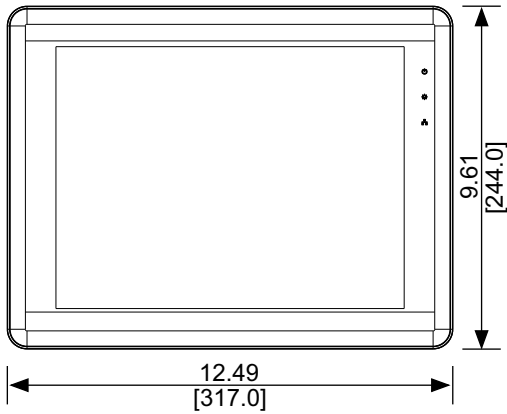


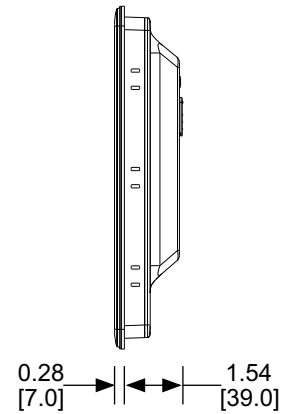
Top View



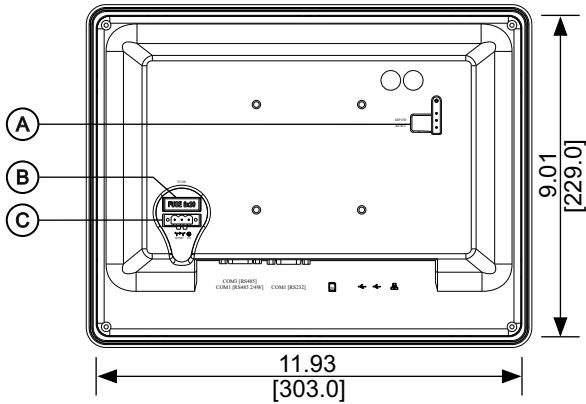
Front View



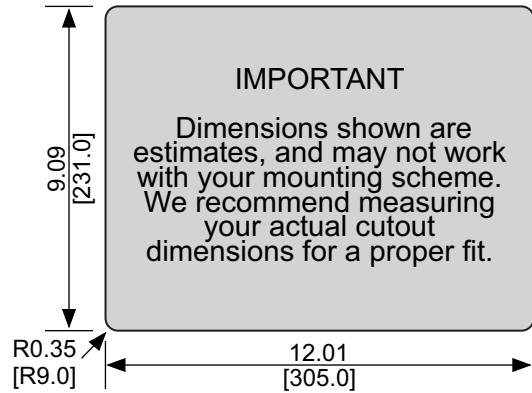
Side View



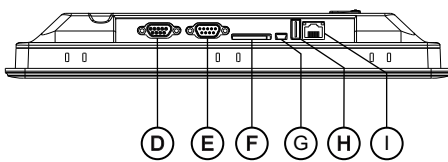
Rear View



Cutout Dimensions



Bottom View



Dimensions are in inches [mm]

- Ⓐ DIP switches & reset    Ⓑ Fuse    Ⓒ Power connector    Ⓓ COM port DE9S
- Ⓔ COM port DE9P    Ⓕ SD card slot    Ⓖ Mini USB 2.0 port    Ⓗ USB 2.0 host port
- Ⓖ Ethernet port